



### Silencer

### Description

Absorptive silencers with a design as provides very low restriction to exhaust gases, thus back pressure is negligible. Silencers of this type may also be used as secondary units on systems using reactive primary silencers.

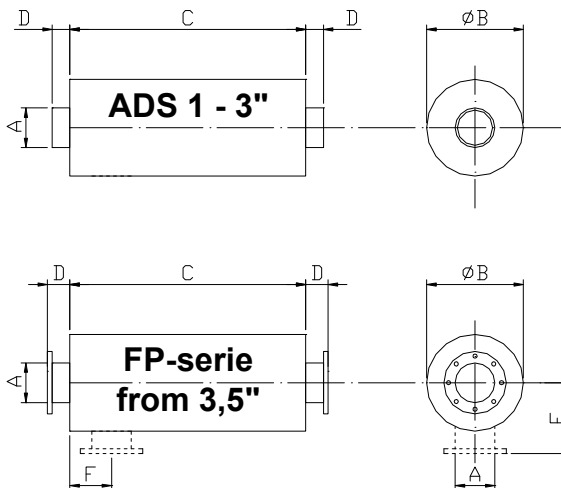
Connections: 1,5" to 3", B:S:P: nipple connection  
3,5" to 7", flanges acc.to DIN2573 (PN6)  
8" and larger, flanges acc.to DIN86044

Finish; heat resistant paint.

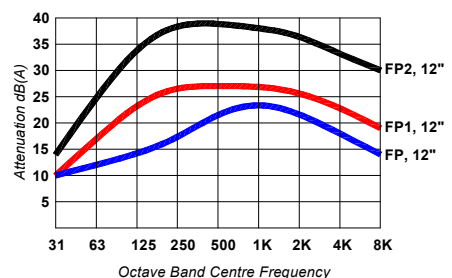
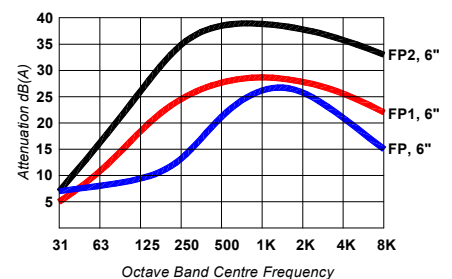
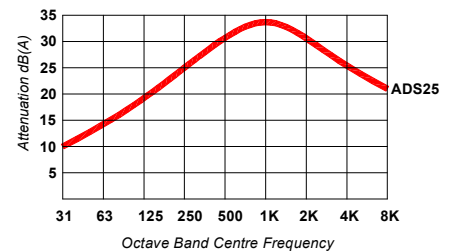
### Options

Material; mild Steel, Cor-Ten, stainless Steel Grades 304L, 316L & 409.

Alternative configurations, mating flange assemblies, lifting lugs, support feet horizontal & vertical.



Typical Attenuation Curve



		Dimensions											
Connections		A	B	C			D	E	F	Weight			
		DN (inch)	mm	mm	mm	mm	mm	mm	mm	kg	kg	kg	
B.S.P. Nipple connections	25 (1,0")	89	380	20	-	-	2						
	38 (1,5")	115	610	30	-	-	4						
	50 (2,0")	115	765	35	-	-	6						
	65 (2,5")	133	765	45	-	-	7						
	75 (3,0")	152	765	50	-	-	9						
DIN2573 (PN6)		FP	FP1/2	FP	FP1	FP2	D	FP	FP1/2	FP	FP1	FP2	
	90 (3,5")	178	310	850	950	1350	75	164	230	150	15	60	80
	100 (4")	230	360	850	1100	1600	75	190	255	160	20	85	125
	125 (5")	310	410	850	1200	1800	75	230	280	180	30	120	160
	150 (6")	360	460	1150	1400	1900	75	255	305	190	46	160	220
	175 (7")	360	460	1150	1500	2300	75	255	305	200	47	170	250
DIN86044	200 (8")	410	610	1450	1650	2500	75	280	355	220	64	190	280
	225 (9")	410	610	1450	1800	2600	75	280	355	235	68	220	320
	250 (10")	460	660	1750	2000	2700	75	305	430	250	130	290	400
	300 (12")	560	760	2200	2200	3200	100	380	480	280	200	400	500
	350 (14")	560	760	2200	2400	3300	100	380	480	320	218	490	680
	400 (16")	660	920	2600	2700	3700	100	430	550	340	280	630	850
	450 (18")	660	920	2900	3000	4200	100	430	550	370	310	780	1000
	500 (20")	760	1070	2900	3300	4500	100	480	640	400	330	900	1200
	550 (22")	760	1270	3200	3600	4800	100	480	735	430	375	1100	1400
	600 (24")	810	1370	3500	3700	5000	100	505	835	460	430	1300	1800

All dimensions in mm unless otherwise stated

#### Norway

P.O. Box 765, N-3196 Horten, Norway  
Tel: +47 33 07 07 50 Fax: +47 33 07 00 68  
e-mail: apn@apn.no

#### Sweden

Norrsvund 1859, S-760 17 BLIDÖ, Sweden  
Tel: +46 176 20 78 80 Fax: +46 176 20 78 99  
e-mail: info@vibratec.se