

MECANO

Leader in Cable Tray Systems®

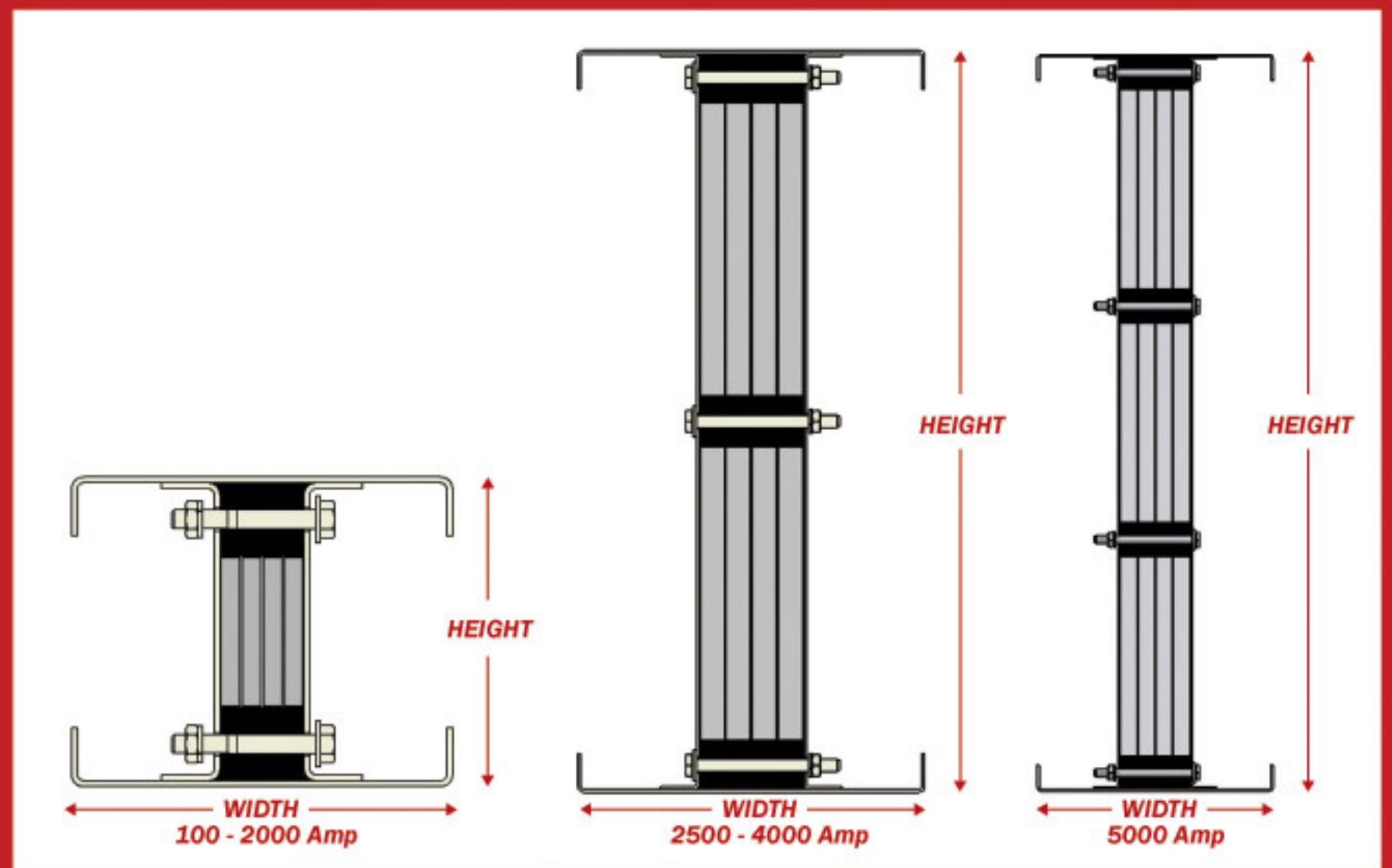
BUSWAYS

SECURITY ON POWER DISTRIBUTION



CENO INDUSTRIAS CENO S.A.
Leadership in Engineering and Quality

CROSS SECTIONS



CONDUCTORS

REFERENCE	CAPACITY (Amp.)	NUMBER PER PHASE	THICKNESS (mm)	WIDTH (mm)	HEIGHT (mm)	WIDTH (mm)	WEIGHT (Kg/m)
BB100*	100	1	4,76	12,7	97	130	7,3
BB200*	200	1	4,70	25,4	110	130	8,3
BB400*	400	1	4,70	50,8	136	130	10,2
BB600*	600	1	6,35	50,8	136	130	13,7
BB800*	800	1	6,35	76,2	161	130	16,3
BB1000*	1000	1	6,35	101,6	186	130	18,9
BB1250*	1250	1	6,35	127,0	212	130	21,5
BB1500*	1500	1	6,35	152,4	237	130	27,4
BB2000*	2000	1	12,70	101,6	186	180	31,3
BB2500*	2500	2	12,70	114,3	338	180	55,4
BB3300*	3300	2	12,70	152,0	415	180	74,3
BB4000*	4000	2	12,70	177,8	465	180	84,0
BB5000*	5000	3	12,70	152,4	592	180	104,5

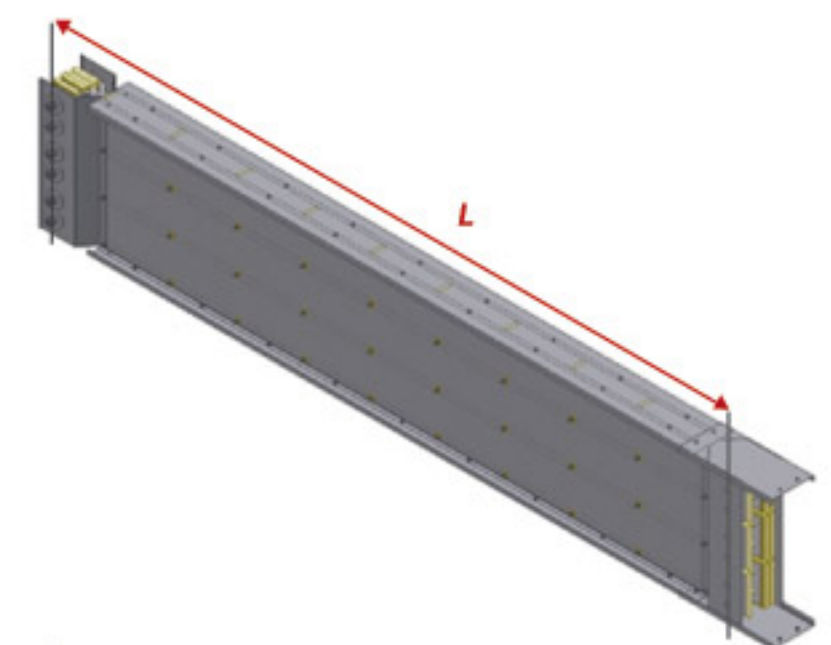
*Reference alludes only to its capacity.
*Distances are taken between conductor centers.

BASIC COMPONENTS

FEDER

It carries current from one place to another, manufactured in a standard 3-meter length (2,893 mm between splice bolt centers), or lower, depending on each installation needs.

REFERENCE		CAPACITY (Amp)	NUMBER OF CONDUCTORS PER PHASE	L (mm)
BBA100AL54	BB FEEDER 100 Amp AL IP54	100	1	2893
BBA200AL54	BB FEEDER 200 Amp AL IP54	200	1	2893
BBA400AL54	BB FEEDER 400 Amp AL IP54	400	1	2893
BBA600AL54	BB FEEDER 600 Amp AL IP54	600	1	2893
BBA800AL54	BB FEEDER 800 Amp AL IP54	800	1	2893
BBA1000AL54	BB FEEDER 1000 Amp AL IP54	1000	1	2893
BBA1250AL54	BB FEEDER 1250 Amp AL IP54	1250	1	2893
BBA1500AL54	BB FEEDER 1500 Amp AL IP54	1500	1	2893
BBA2000AL54	BB FEEDER 2000 Amp AL IP54	2000	1	2893
BBA2500AL54	BB FEEDER 2500 Amp AL IP54	2500	2	2893
BBA3300AL54	BB FEEDER 3300 Amp AL IP54	3300	2	2893
BBA4000AL54	BB FEEDER 4000 Amp AL IP54	4000	2	2893
BBA5000AL54	BB FEEDER 5000 Amp AL IP54	5000	3	2893

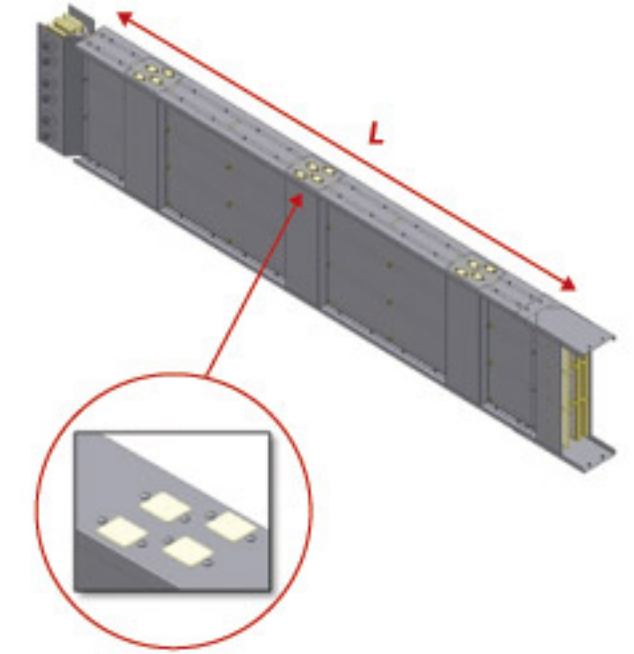


*Dimensions and capacities can be modified for continuous improvements.

PLUG IN FEEDER

Supplies power at a specific point, manufactured with a standard 3 m length (2827 mm between splice bolt centers), or lower, depending on each installation needs, with three tap points accessible from both sides of the bar for maximum versatility.

REFERENCE		CAPACITY (Amp)	NUMBER OF CONDUCTORS PER PHASE	L (mm)	
BBAD100AL54	BB PLUG IN FEEDER 100 Amp AL IP54	100	1	2827	
BBAD200AL54	BB PLUG IN FEEDER 200 Amp AL IP54	200	1	2827	
BBAD400AL54	BB PLUG IN FEEDER 400 Amp AL IP54	400	1	2827	
BBAD600AL54	BB PLUG IN FEEDER 600 Amp AL IP54	600	1	2827	
BBAD800AL54	BB PLUG IN FEEDER 800 Amp AL IP54	800	1	2827	
BBAD1000AL54	BB PLUG IN FEEDER 1000 Amp AL IP54	1000	1	2827	
BBAD1250AL54	BB PLUG IN FEEDER 1250 Amp AL IP54	1250	1	2827	
BBAD1500AL54	BB PLUG IN FEEDER 1500 Amp AL IP54	1500	1	2827	
BBAD2000AL54	BB PLUG IN FEEDER 2000 Amp AL IP54	2000	1	2827	
BBAD2500AL54	BB PLUG IN FEEDER 2500 Amp AL IP54	2500	2	2827	
BBAD3300AL54	BB PLUG IN FEEDER 3300 Amp AL IP54	3300	2	2827	
BBAD4000AL54	BB PLUG IN FEEDER 4000 Amp AL IP54	4000	2	2827	
BBAD5000AL54	BB PLUG IN FEEDER 5000 Amp AL IP54	5000	3	2827	



*Dimensions and capacities can be modified for continuous improvements.

HORIZONTAL ELBOW 90°

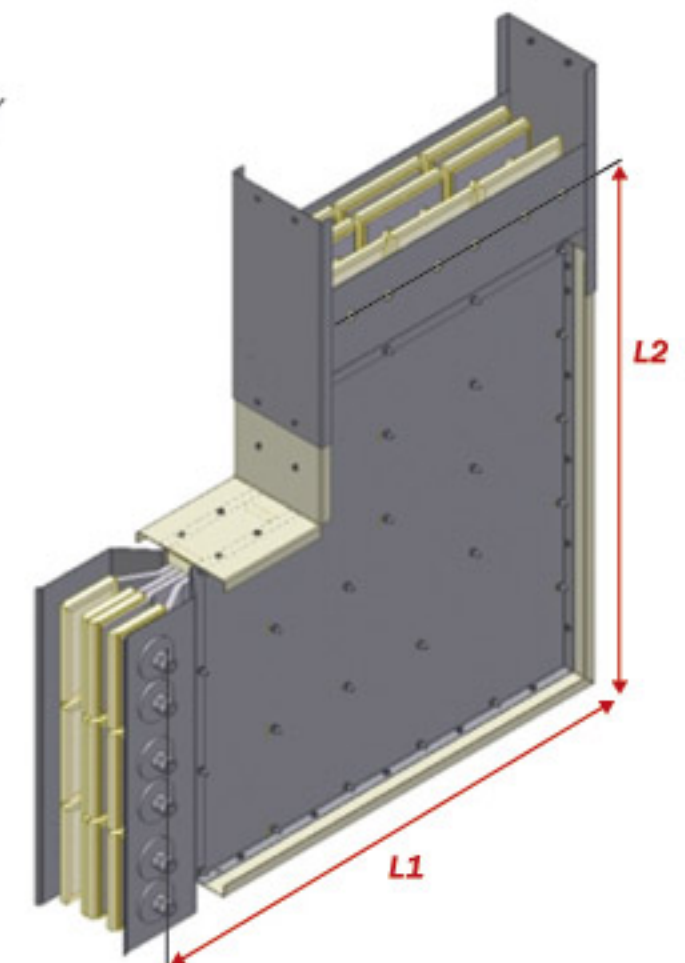
REFERENCE		CAPACITY (Amp)	NUMBER OF CONDUCTORS PER PHASE	DIMENSIONS (mm)	
				L1	L2
				BBCH100AL54	BB HORIZONTAL ELBOW 100 Amp AL IP54
BBCH200AL54	BB HORIZONTAL ELBOW 200 Amp AL IP54	200	1	500	500
BBCH400AL54	BB HORIZONTAL ELBOW 400 Amp AL IP54	400	1	500	500
BBCH600AL54	BB HORIZONTAL ELBOW 600 Amp AL IP54	600	1	500	500
BBCH800AL54	BB HORIZONTAL ELBOW 800 Amp AL IP54	800	1	500	500
BBCH1000AL54	BB HORIZONTAL ELBOW 1000 Amp AL IP54	1000	1	500	500
BBCH1250AL54	BB HORIZONTAL ELBOW 1250 Amp AL IP54	1250	1	500	500
BBCH1500AL54	BB HORIZONTAL ELBOW 1500 Amp AL IP54	1500	1	500	500
BBCH2000AL54	BB HORIZONTAL ELBOW 2000 Amp AL IP54	2000	1	500	500
BBCH2500AL54	BB HORIZONTAL ELBOW 2500 Amp AL IP54	2500	2	500	500
BBCH3300AL54	BB HORIZONTAL ELBOW 3300 Amp AL IP54	3300	2	500	500
BBCH4000AL54	BB HORIZONTAL ELBOW 4000 Amp AL IP54	4000	2	500	500
BBCH5000AL54	BB HORIZONTAL ELBOW 5000 Amp AL IP54	5000	3	500	500

*Dimensions and capacities can be modified for continuous improvements.

VERTICAL ELBOW 90°

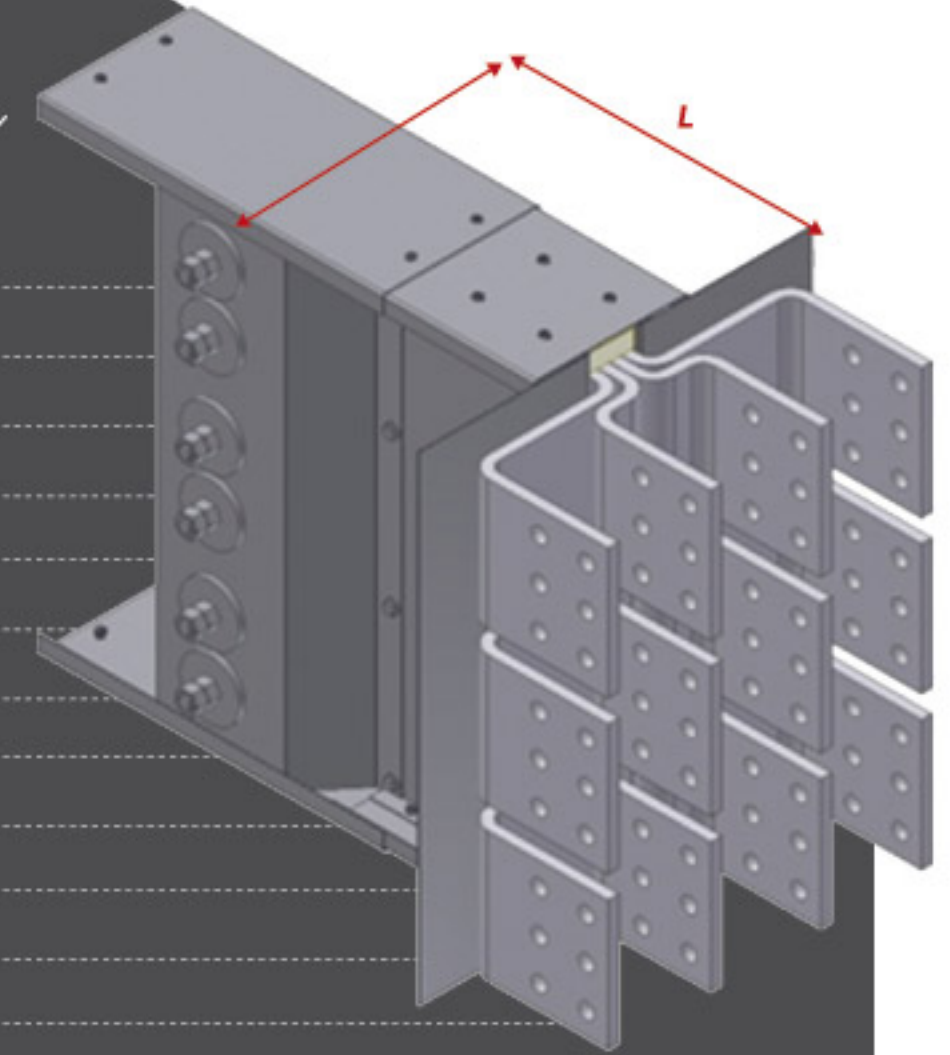
REFERENCE		CAPACITY (Amp)	NUMBER OF CONDUCTORS PER PHASE	DIMENSIONS (mm)	
				L1	L2
BBCV100AL54	BB VERTICAL ELBOW 100 Amp AL IP54	100	1	500	500
BBCV200AL54	BB VERTICAL ELBOW 200 Amp AL IP54	200	1	500	500
BBCV400AL54	BB VERTICAL ELBOW 400 Amp AL IP54	400	1	500	500
BBCV600AL54	BB VERTICAL ELBOW 600 Amp AL IP54	600	1	500	500
BBCV800AL54	BB VERTICAL ELBOW 800 Amp AL IP54	800	1	500	500
BBCV1000AL54	BB VERTICAL ELBOW 1000 Amp AL IP54	1000	1	500	500
BBCV1250AL54	BB VERTICAL ELBOW 1250 Amp AL IP54	1250	1	500	500
BBCV1500AL54	BB VERTICAL ELBOW 1500 Amp AL IP54	1500	1	500	500
BBCV2000AL54	BB VERTICAL ELBOW 2000 Amp AL IP54	2000	1	500	500
BBCV2500AL54	BB VERTICAL ELBOW 2500 Amp AL IP54	2500	2	500	500
BBCV3300AL54	BB VERTICAL ELBOW 3300 Amp AL IP54	3300	2	500	500
BBCV4000AL54	BB VERTICAL ELBOW 4000 Amp AL IP54	4000	2	500	500
BBCV5000AL54	BB VERTICAL ELBOW 5000 Amp AL IP54	5000	3	500	500

*Dimensions and capacities can be modified for continuous improvements.



FLANGED END (EITHER END WITH OR WITHOUT BOX)

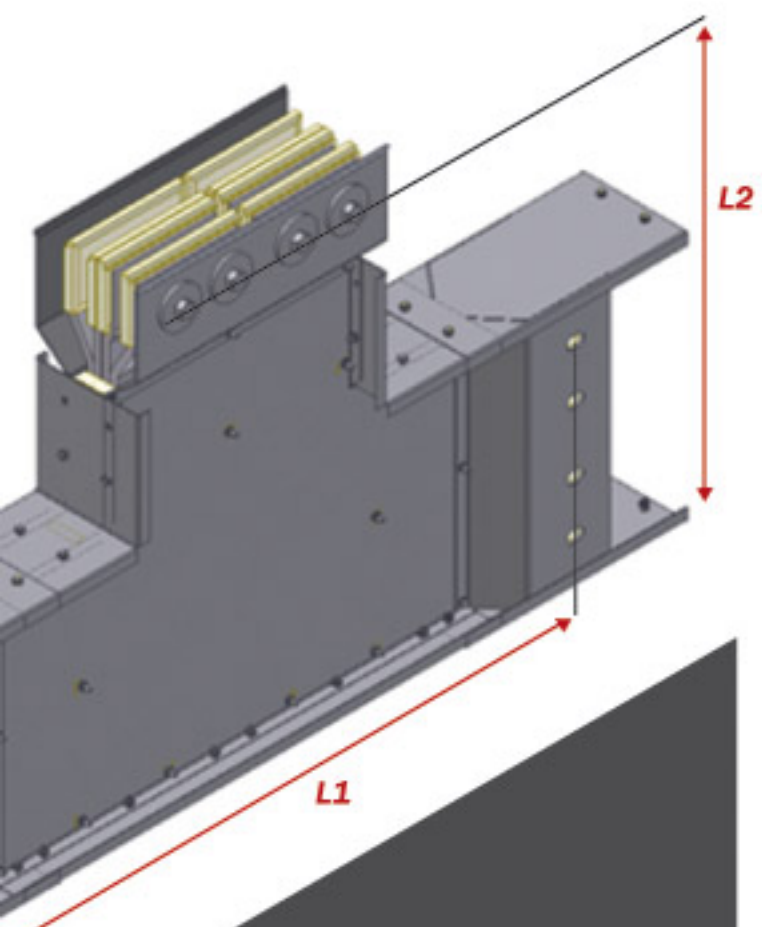
REFERENCE		CAPACITY (Amp)	NUMBER OF CONDUCTORS PER PHASE	L1 (mm)	
BBF100AL54	BB FLANGED END 100 Amp AL IP54	100	1	500	
BBF200AL54	BB FLANGED END 200 Amp AL IP54	200	1	500	
BBF400AL54	BB FLANGED END 400 Amp AL IP54	400	1	500	
BBF600AL54	BB FLANGED END 600 Amp AL IP54	600	1	500	
BBF800AL54	BB FLANGED END 800 Amp AL IP54	800	1	500	
BBF1000AL54	BB FLANGED END 1000 Amp AL IP54	1000	1	500	
BBF1250AL54	BB FLANGED END 1250 Amp AL IP54	1250	1	500	
BBF1500AL54	BB FLANGED END 1500 Amp AL IP54	1500	1	500	
BBF2000AL54	BB FLANGED END 2000 Amp AL IP54	2000	1	500	
BBF2500AL54	BB FLANGED END 2500 Amp AL IP54	2500	2	500	
BBF3300AL54	BB FLANGED END 3300 Amp AL IP54	3300	2	500	
BBF4000AL54	BB FLANGED END 4000 Amp AL IP54	4000	2	500	
BBF5000AL54	BB FLANGED END 5000 Amp AL IP54	5000	3	500	



*Dimensions and capacities can be modified for continuous improvements.

VERTICAL TEE

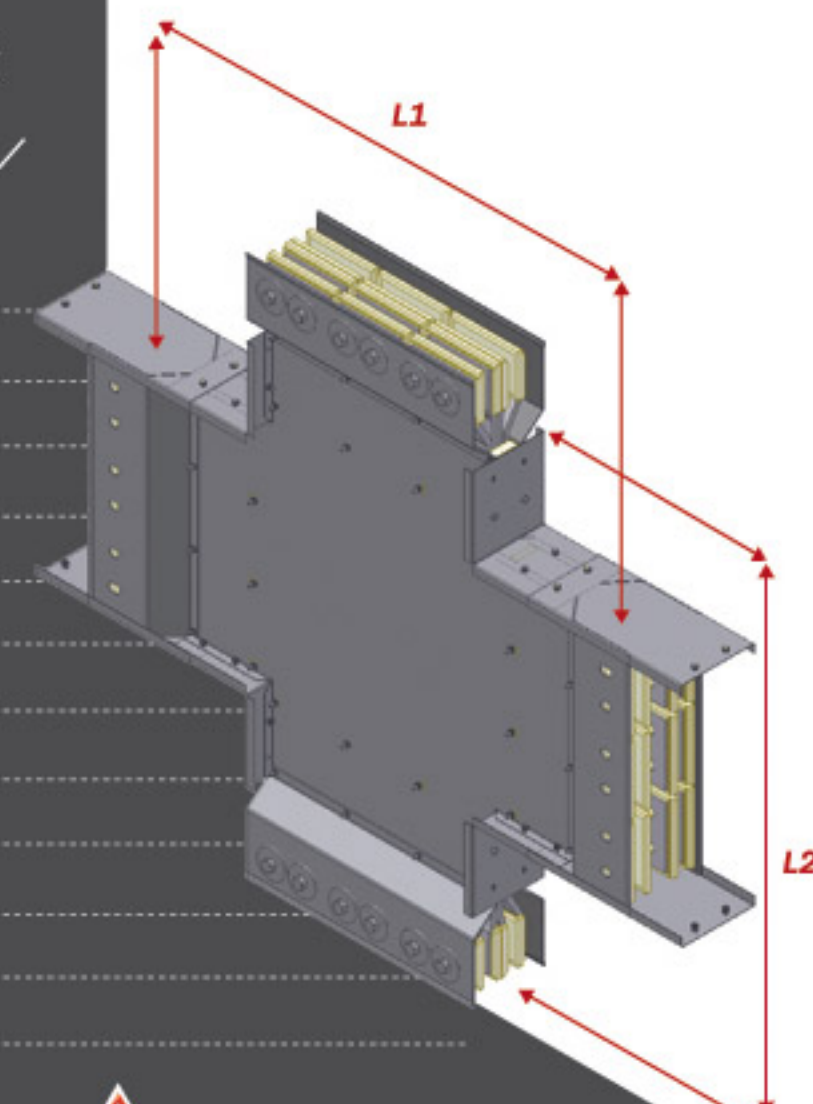
REFERENCE		CAPACITY (Amp)	NUMBER OF CONDUCTORS PER PHASE	DIMENSIONS (mm)	
				L1	L2
BBTV100AL54	BB VERTICAL TEE 100 Amp AL IP54	100	1	1000	500
BBTV200AL54	BB VERTICAL TEE 200 Amp AL IP54	200	1	1000	500
BBTV400AL54	BB VERTICAL TEE 400 Amp AL IP54	400	1	1000	500
BBTV600AL54	BB VERTICAL TEE 600 Amp AL IP54	600	1	1000	500
BBTV800AL54	BB VERTICAL TEE 800 Amp AL IP54	800	1	1000	500
BBTV1000AL54	BB VERTICAL TEE 1000 Amp AL IP54	1000	1	1000	500
BBTV1250AL54	BB VERTICAL TEE 1250 Amp AL IP54	1250	1	1000	500
BBTV1500AL54	BB VERTICAL TEE 1500 Amp AL IP54	1500	1	1000	500
BBTV2000AL54	BB VERTICAL TEE 2000 Amp AL IP54	2000	1	1000	500
BBTV2500AL54	BB VERTICAL TEE 2500 Amp AL IP54	2500	2	1000	500
BBTV3300AL54	BB VERTICAL TEE 3300 Amp AL IP54	3300	2	1000	500
BBTV4000AL54	BB VERTICAL TEE 4000 Amp AL IP54	4000	2	1000	500
BBTV5000AL54	BB VERTICAL TEE 5000 Amp AL IP54	5000	3	1000	500



*Dimensions and capacities can be modified for continuous improvements.

VERTICAL CROSS

REFERENCE		CAPACITY (Amp)	NUMBER OF CONDUCTORS PER PHASE	DIMENSIONS (mm)	
				L1	L2
BBC100AL54	BB VERTICAL CROSS 100 Amp AL IP54	100	1	1000	1000
BBC200AL54	BB VERTICAL CROSS 200 Amp AL IP54	200	1	1000	1000
BBC400AL54	BB VERTICAL CROSS 400 Amp AL IP54	400	1	1000	1000
BBC600AL54	BB VERTICAL CROSS 600 Amp AL IP54	600	1	1000	1000
BBC800AL54	BB VERTICAL CROSS 800 Amp AL IP54	800	1	1000	1000
BBC1000AL54	BB VERTICAL CROSS 1000 Amp AL IP54	1000	1	1000	1000
BBC1250AL54	BB VERTICAL CROSS 1250 Amp AL IP54	1250	1	1000	1000
BBC1500AL54	BB VERTICAL CROSS 1500 Amp AL IP54	1500	1	1000	1000
BBC2000AL54	BB VERTICAL CROSS 2000 Amp AL IP54	2000	1	1000	1000
BBC2500AL54	BB VERTICAL CROSS 2500 Amp AL IP54	2500	2	1000	1000
BBC3300AL54	BB VERTICAL CROSS 3300 Amp AL IP54	3300	2	1000	1000
BBC4000AL54	BB VERTICAL CROSS 4000 Amp AL IP54	4000	2	1000	1000
BBC5000AL54	BB VERTICAL CROSS 5000 Amp AL IP54	5000	3	1000	1000



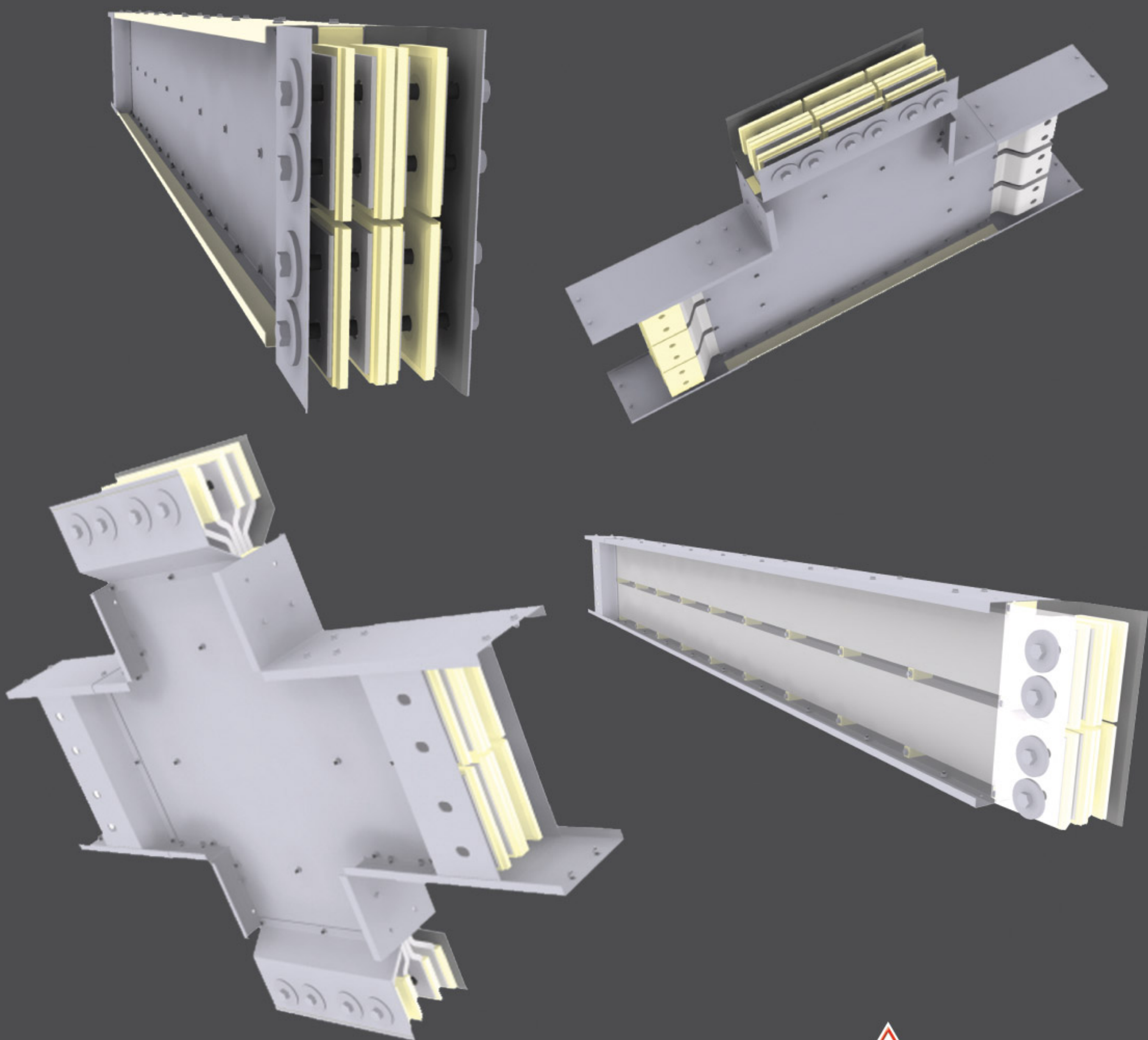
*Dimensions and capacities can be modified for continuous improvements.

GENERAL CHARACTERISTICS

- **Manufactured and tested under IEC-60439-2, complying with a full protocol of tests at KEMA® labs.**

Temperature rise • Dielectric Properties • Short-circuit strength • Creepage distances • Mechanical operation • IP protection • Isolation abnormal temperature rise • Structural strength • crushing resistance • Electrical characteristic of busbar trunking system • Flame propagation • Fire barrier in building penetration.

- **Operating temperature up to 85 °C.**
- **Aluminum conductors under ANSI ASTM B317 – 79, offering unique specifications for current conduction applications, responding to high mechanical strengths in case of failure.**
- **Steel housing (50% ground) (In case 100% ground is required, another conductor shall be added).**
- **Feeders with three plug in point on both sides.**
- **3P – 4W 50%G system.**
- **IP 54 (55) degree.**
- **3-m standard length feeders.**
- **Wide capacities in amperage and short-circuit current**
- **Polyester isolation allows continuous performance without failure even under excessive temperature rise (70 °C up to 150 °C). the application of the isolation layers allows a complete protection against external agents (air, dust, or other pollutants). Our bar isolation can reach over 48 kV.**
- **Compatible with MECANO® structural systems.**
- **Fast installation and simple maintenance.**
- **Designed using the latest finite element and manufacturing tools with cutting-edge technology that allows wide controls and high quality standards.**
- **Isolation materials are highly tested and reliable for continuous operation.**



February 2010

www.industriasceno.com

MEDELLÍN (MANUFACTURING PLANT)

Calle 86 No. 45 - 90 Itagüí • PBX [574] 444 5011 / Fax [574] 444 5011 - Ext. 9 • ventas@industriasceno.com

BOGOTÁ

Calle 98 No. 22 - 64 Of. 301 • PBX [571] 635 3411 / Fax [571] 635 3411 - Ext. 9 • ventasbogota@industriasceno.com

BARRANQUILLA (MANUFACTURING PLANT)

Parque Empresarial Rio Norte, Intersección Vía 40 Circunvalar. Bodegas 18 - 21 • PBX [575] 377 3430 / Fax [575] 377 3435 • ventasnorte@industriasceno.com

CALI

Avda. 6ª A Bis No. 35 N - 100 Of. 711 Centro Empresarial Chipichape • PBX [572] 680 6767 / Fax [572] 680 6292 • ventasoccidente@industriasceno.com