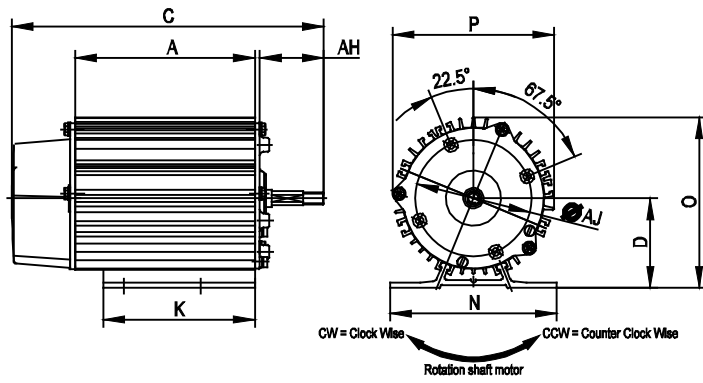


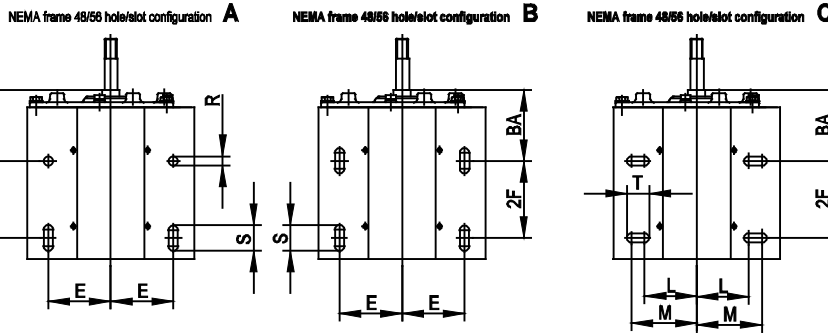
MF-Flex motor series
EP1



Vostermans Ventilation B.V.
P.O. Box 3025
5902 RA Venlo-Holland
Tel. +31 (0)77 389 32 32
Fax. +31 (0)77 382 08 93
ventilation@vostermans.com
www.vostermans.com

Vostermans Ventilation Inc.
P.O. Box 579
Bloomington, Ill
61702-0579 U.S.A.
Tel. +1 309 827 9798
Fax. +1 309 829 1993
ventilation@us.vostermans.com

Vostermans Ventilation S.A.R.L.
482 Rue du Luxembourg
ZAC du Bois des Communes
27000 Evreux - France
Tel. +33 (0)2 32 38 11 00
Fax. +33 (0)2 32 33 37 12
ventilation@fr.vostermans.com

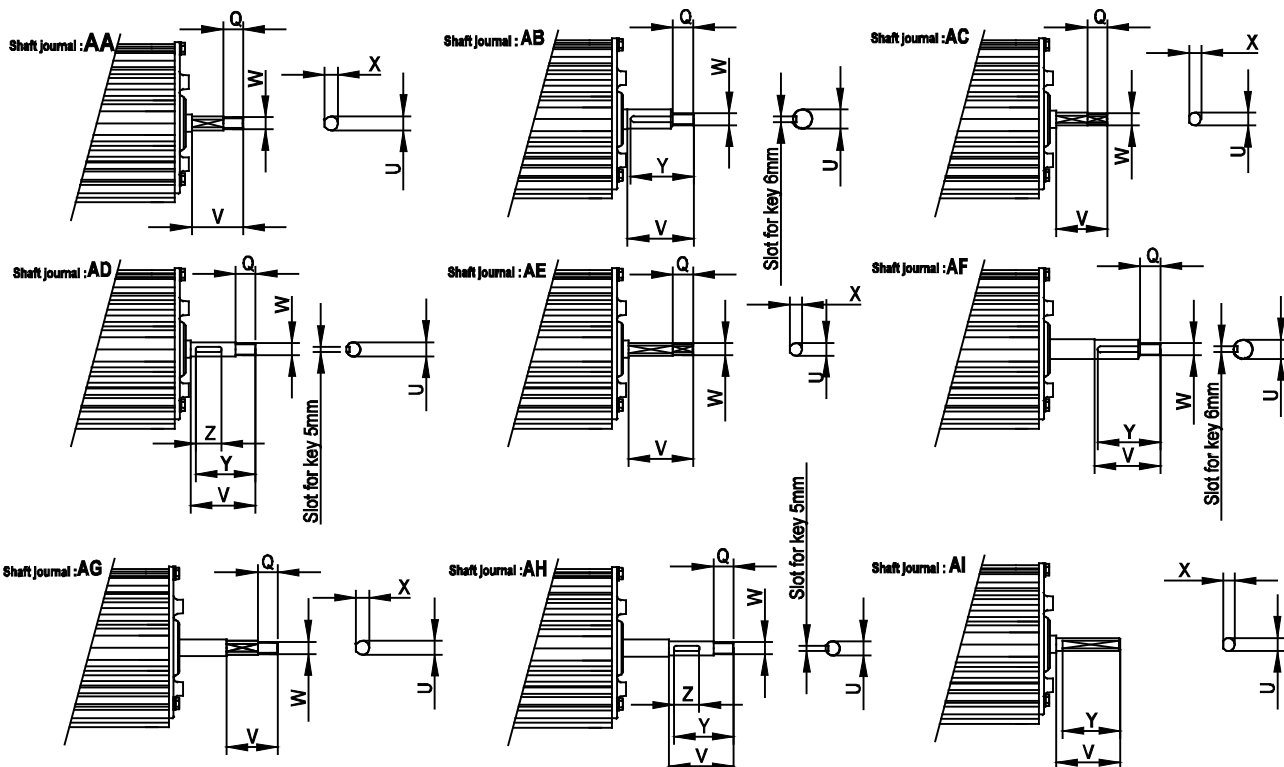


NEMA 48 Frame	BA	2F	A	E	S	R	L	M	T	P	N	D	O	AJ	K	C	AH	U	V	W	X	Y	Z	Q
Shaft journal AA	2.5	2.75	5.0	2.12	1	0.35	2.03	2.54	0.87	6.3	5.7	3.0	6.14	4.53	5.6	10.1	2.5	0.55	2.0	M12	0.51			0.8
Shaft journal AB	2.44	2.75	7.0	2.12	1	0.35	2.03	2.54	0.87	6.3	5.7	3.0	6.14	4.53	5.6	12.7	3.0	0.75	2.6	M12		2.46		0.8
Shaft journal AC	2.5 / 2.6	2.75	5.0	2.12	1	0.35	2.03	2.54	0.87	6.3	5.7	3.0	6.14	4.53	5.6	10.1	2.5	0.50	2.0	M12	0.46			0.8
Shaft journal AD	2.47	2.75	7.0	2.12	1	0.35	2.03	2.54	0.87	6.3	5.7	3.0	6.14	4.53	5.6	12.7	3.0	0.55	2.5	M12		2.32	0.98	0.8
Shaft journal AE	2.44 / 2.47	2.75	7.0	2.12	1	0.35	2.03	2.54	0.87	6.3	5.7	3.0	6.14	4.53	5.6	12.7	3.0	0.50	2.5	M12	0.46			0.8
Shaft journal AF	4.0	2.75	7.0	2.12	1	0.35	2.03	2.54	0.87	6.3	5.7	3.0	6.14	4.53	5.6	14.3	4.6	0.75	2.6	M12		2.46		0.8
Shaft journal AG	4.1 / 4.16	2.75	5.0	2.12	1	0.35	2.03	2.54	0.87	6.3	5.7	3.0	6.14	4.53	5.6	11.7	4.1	0.55	2.0	M12	0.51			0.8
Shaft journal AH	4.09	2.75	7.0	2.12	1	0.35	2.03	2.54	0.87	6.3	5.7	3.0	6.14	4.53	5.6	13.8	4.5	0.55	2.0	M12		1.93	0.98	0.8
Shaft journal AI	2.5	2.75	5.0 / 7.0	2.12	1	0.35	2.03	2.54	0.87	6.3	5.7	3.0	6.14	4.53	5.6	10.6 / 12.7	3.0	0.50	2.5		0.45	2.24		

NEMA 56 Frame	BA	2F	A	E	S	R	L	M	T	P	N	D	O	AJ	K	C	AH	U	V	W	X	Y	Z	Q
Shaft journal AA	2.75	3.00	5.0	2.44	1	0.35	2.03	2.54	0.87	6.3	6.50	3.5	6.65	4.53	5.9	10.1	2.5	0.55	2.0	M12	0.51			0.8
Shaft journal AB	2.69	3.00	7.0	2.44	1	0.35	2.03	2.54	0.87	6.3	6.50	3.5	6.65	4.53	5.9	12.7	3.0	0.75	2.6	M12		2.46		0.8
Shaft journal AC	2.75 / 2.84	3.00	5.0	2.44	1	0.35	2.03	2.54	0.87	6.3	6.50	3.5	6.65	4.53	5.9	10.1	2.5	0.50	2.0	M12	0.46			0.8
Shaft journal AD	2.72	3.00	7.0	2.44	1	0.35	2.03	2.54	0.87	6.3	6.50	3.5	6.65	4.53	5.9	12.7	3.0	0.55	2.5	M12		2.32	0.98	0.8
Shaft journal AE	2.69 / 2.72	3.00	7.0	2.44	1	0.35	2.03	2.54	0.87	6.3	6.50	3.5	6.65	4.53	5.9	12.7	3.0	0.50	2.5	M12	0.46			0.8
Shaft journal AF	4.26	3.00	7.0	2.44	1	0.35	2.03	2.54	0.87	6.3	6.50	3.5	6.65	4.53	5.9	14.3	4.6	0.75	2.6	M12		2.46		0.8
Shaft journal AG	4.33 / 4.4	3.00	5.0	2.44	1	0.35	2.03	2.54	0.87	6.3	6.50	3.5	6.65	4.53	5.9	11.7	4.1	0.55	2.0	M12	0.51			0.8
Shaft journal AH	4.30	3.00	7.0	2.44	1	0.35	2.03	2.54	0.87	6.3	6.50	3.5	6.65	4.53	5.9	13.8	4.5	0.55	2.0	M12		1.93	0.98	0.8
Shaft journal AI	2.75	3.00	5.0 / 7.0	2.44	1	0.35	2.03	2.54	0.87	6.3	6.50	3.5	6.65	4.53	5.9	10.6 / 12.7	3.0	0.50	2.5		0.45	2.24		

For technical specs of the motors see VV1002

All dimensions in inches



4VV1001