

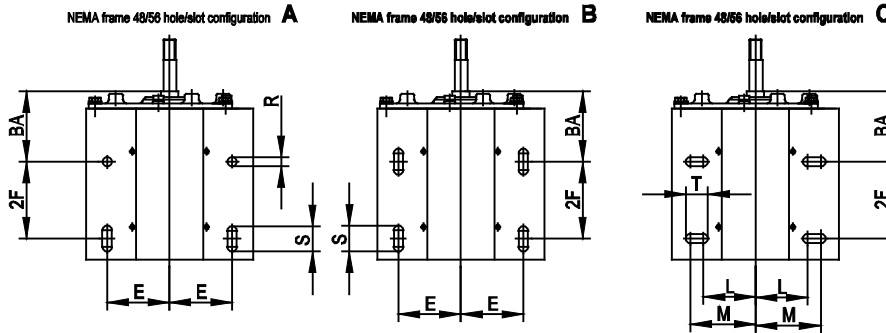
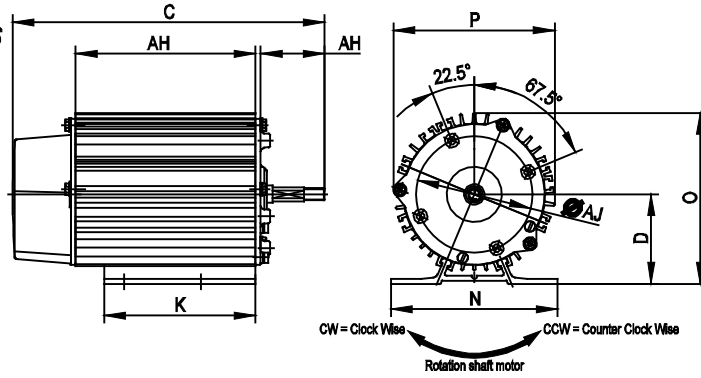
MF-Flex motor series  
**EP1**



Vostermans Ventilation B.V.  
P.O. Box 3025  
5902 RA Venlo-Holland  
Tel. +31 (0)77 389 32 32  
Fax. +31 (0)77 382 08 93  
ventilation@vostermans.com  
www.vostermans.com

Vostermans Ventilation Inc.  
P.O. Box 579  
Bloomington, Ill  
61702-0579 U.S.A.  
Tel. +1 309 827 9798  
Fax. +1 309 829 1993  
ventilation@us.vostermans.com

Vostermans Ventilation S.A.R.L.  
482 Rue du Luxembourg  
ZAC du Bois des Communes  
27000 Evreux - France  
Tel. +33 (0)2 32 38 11 00  
Fax. +33 (0)2 32 33 37 12  
ventilation@fr.vostermans.com

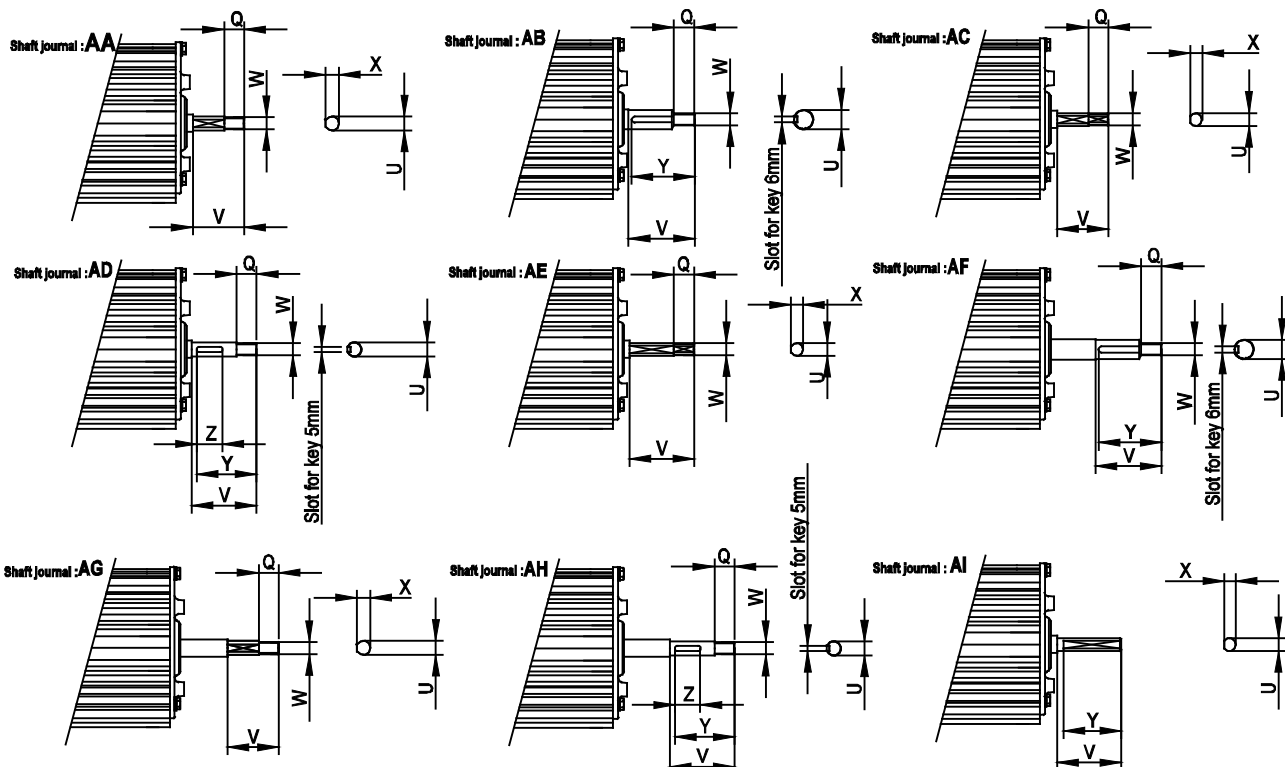


NEMA 48 Frame	BA	2F	A	E	S	R	L	M	T	P	N	D	O	AJ	K	C	AH	U	V	W	X	Y	Z	Q
Shaft journal AA	63.5	70	126.5	53.8	25.4	9	51.5	64.5	22	159.5	145	75.8	156	115	142.5	257.5	63	14	51	M12	13			20
Shaft journal AB	62	70	178.5	53.8	25.4	9	51.5	64.5	22	159.5	145	75.8	156	115	142.5	322	75.7	19	65.5	M12		62.4		20
Shaft journal AC	63.5 / 65.8	70	126.5	53.8	25.4	9	51.5	64.5	22	159.5	145	75.8	156	115	142.5	257.5	63	12.7	51	M12	11.7			20
Shaft journal AD	62.8	70	178.5	53.8	25.4	9	51.5	64.5	22	159.5	145	75.8	156	115	142.5	322	75.2	14	64	M12		59	25	20
Shaft journal AE	62 / 62.8	70	178.5	53.8	25.4	9	51.5	64.5	22	159.5	145	75.8	156	115	142.5	322	75.2	12.7	64	M12	11.7			20
Shaft journal AF	102	70	178.5	53.8	25.4	9	51.5	64.5	22	159.5	145	75.8	156	115	142.5	362	115.7	19	65.5	M12		62.4		20
Shaft journal AG	103.8 / 105.8	70	126.5	53.8	25.4	9	51.5	64.5	22	159.5	145	75.8	156	115	142.5	297.5	103	14	51	M12	13			20
Shaft journal AH	104	70	178.5	53.8	25.4	9	51.5	64.5	22	159.5	145	75.8	156	115	142.5	350	115.2	14	51	M12		49	25	20
Shaft journal AI	63.5	70	126.5/178.5	53.8	25.4	9	51.5	64.5	22	159.5	145	75.8	156	115	142.5	270 / 322	75.5	12.7	63.5		11.5	57		

NEMA 56 Frame	BA	2F	A	E	S	R	L	M	T	P	N	D	O	AJ	K	C	AH	U	V	W	X	Y	Z	Q
Shaft journal AA	69.85	76.2	126.5	61.9	25.4	9	51.5	64.5	22	159.5	165	88.6	189	115	150	257.5	63	14	51	M12	13			20
Shaft journal AB	68.35	76.2	178.5	61.9	25.4	9	51.5	64.5	22	159.5	165	88.6	189	115	150	322	75.7	19	65.5	M12		62.4		20
Shaft journal AC	69.85 / 72.15	76.2	126.5	61.9	25.4	9	51.5	64.5	22	159.5	165	88.6	189	115	150	257.5	63	12.7	51	M12	11.7			20
Shaft journal AD	69.15	76.2	178.5	61.9	25.4	9	51.5	64.5	22	159.5	165	88.6	189	115	150	322	75.2	14	64	M12		59	25	20
Shaft journal AE	68.35 / 69.15	76.2	178.5	61.9	25.4	9	51.5	64.5	22	159.5	165	88.6	189	115	150	322	75.2	12.7	64	M12	11.7			20
Shaft journal AF	108.35	76.2	178.5	61.9	25.4	9	51.5	64.5	22	159.5	165	88.6	189	115	150	362	115.7	19	65.5	M12		62.4		20
Shaft journal AG	110.15 / 112.15	76.2	126.5	61.9	25.4	9	51.5	64.5	22	159.5	165	88.6	189	115	150	297.5	103	14	51	M12	13			20
Shaft journal AH	110.35	76.2	178.5	61.9	25.4	9	51.5	64.5	22	159.5	165	88.6	189	115	150	350	115.2	14	51	M12		49	25	20
Shaft journal AI	69.85	76.2	126.5/178.5	61.9	25.4	9	51.5	64.5	22	159.5	165	88.6	189	115	150	270 / 322	75.5	12.7	63.5		11.5	57		

For technical specs of the motors see VV1002

All dimensions in mm



4VV1000