

# "SHELI" - Shield for Easy Location & Installation Modular Ballistic Partition



Patent  
Pending

## *The ideal solution for temporary protection*

- A modular ballistic protecting partition, easy to transport, simple to assemble.
- Provides full protection from small arms and shrapnel.
- Takes up very little storage area - can even be stored in a regular office.
- Can be transported in any small commercial vehicle or pick-up truck
- Upholstery can be changed independently according to circumstances or may be omitted.
- Can be stored for very long periods.
- Considerably cheaper than any other solution.
- Designed for security forces, V.I.P protection units, police forces, security officers and communities in border-line areas.
- Patent pending No. 156604.



**MIFRAM Ltd.**  
SECURITY DIVISION Since 1962

[www.mifram.com](http://www.mifram.com)  
[www.mifram.co.il](http://www.mifram.co.il)



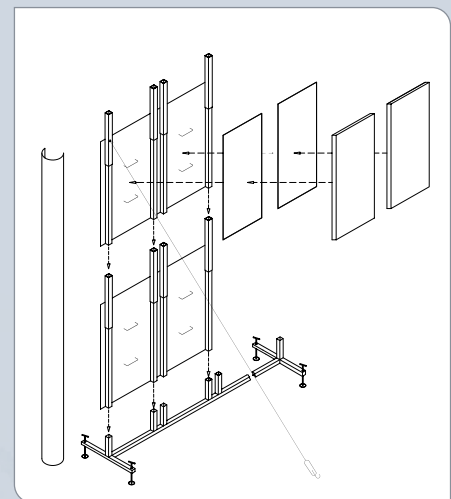
# "SHELI" - Shield for Easy Location & Installation Modular Ballistic Partition

## Features:

- Steel plates for full protection from small firearms including overlaps and anchoring.
- The protection system is portable and easy to transport and assemble.
- The height, length and route are decided by the site assembler and can be changed at any time according to field conditions.
- Very fast and easy to assemble and can be erected by any adult in a matter of minutes.
- The finish is decided by the customer and can be suitable for any weather conditions.
- Can be folded and stored so that it takes up only a very small area (a small corner in a room).
- UV protected upholstery , protection against small arms fire and self extinguishing fire protection.

## Technical specifications:

- Dimensions (single plate) - length - 50 cm, height - 100 cm.
- Weight (single unit) - about 35kg
- Finish - All parts are galvanized and painted with epoxy.
- Maximum height without support - 220 cm.
- Maximum length - no limit.
- Floor area needed - 100 cm.
- Support beams - provided.
- Minimum two people for assembling.
- Supplied with integral screw height adaptors.



## Protection specification:

- Ballistic protection for - 5.56mm SS109 and 7.62mm FMJ.
- Full protection for pipe charge and military hand grenade from a range of 1m and further.
- Full protection from "Qasam" mortar bombs or similar.
- With extra anchoring can withstand a suicide bomber from a distance of 1 meter.

## Add-ons:

- Ballistic protection upgrading up to protection against 0.5" machine guns.
- Blast protection to fully withstand bombs and suicide bombers.
- Decorative finish meant to prevent revealing the partition's capabilities.
- Height and width dimensions according to specific demands.
- Modular angle and level connectors, upon demand.



**MIFRAM Ltd.**  
SECURITY DIVISION Since 1962

[www.mifram.com](http://www.mifram.com)  
[www.mifram.co.il](http://www.mifram.co.il)

