

MECANO

Leader in Cable Tray Systems®



WIRE MESH CABLE TRAYS

WMM



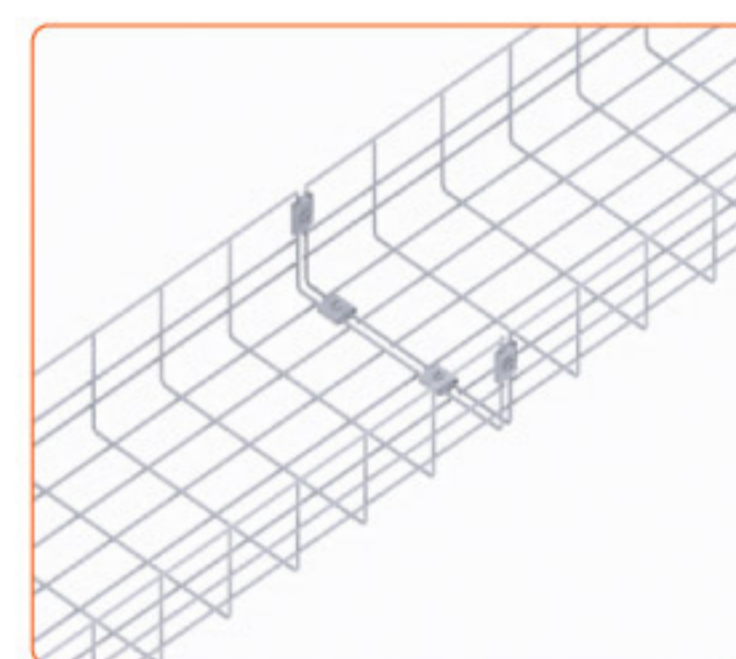
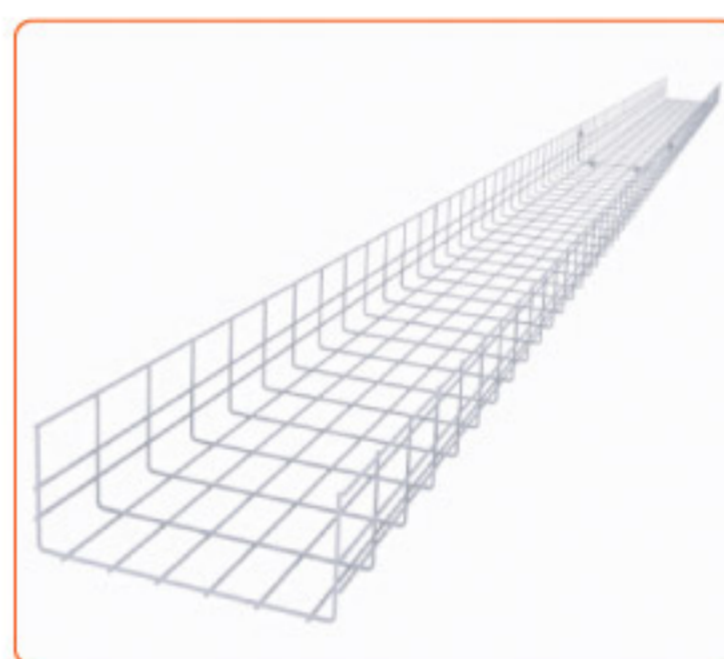
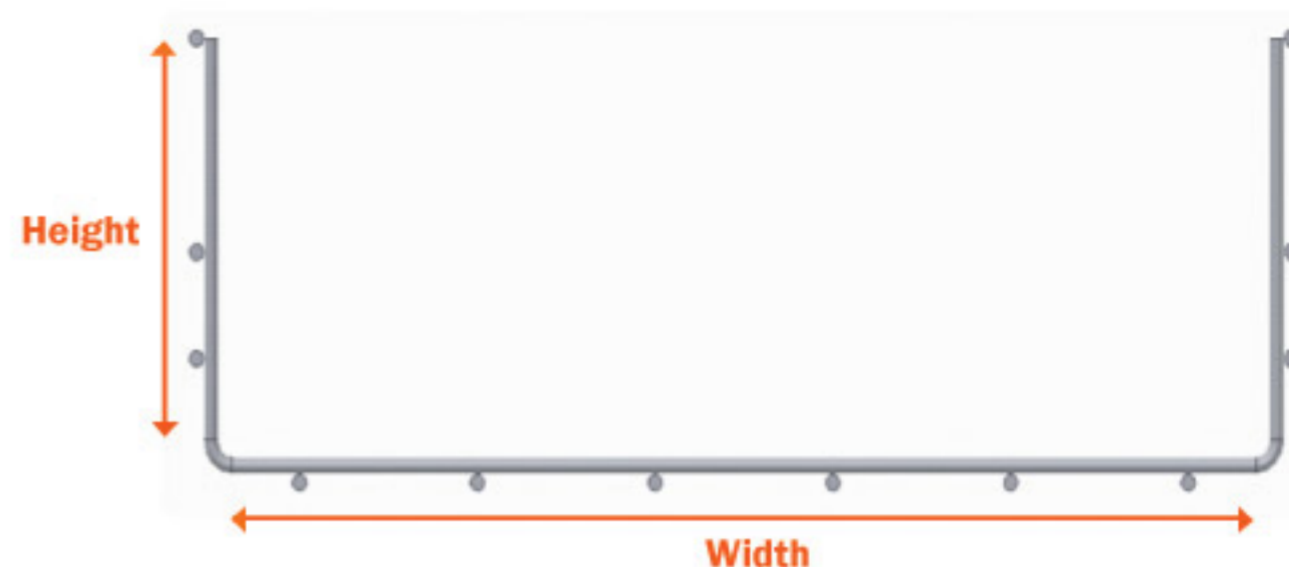
VERSATILITY

Wire mesh cable trays, also known as WM, are cable trays manufactured from electro welded steel with rods spaced 10 cm from each other which allows usage of 1/0 gauge wires and thinner, according to RETIE. This characteristic allows effective usage in communications, control, and power, among others.

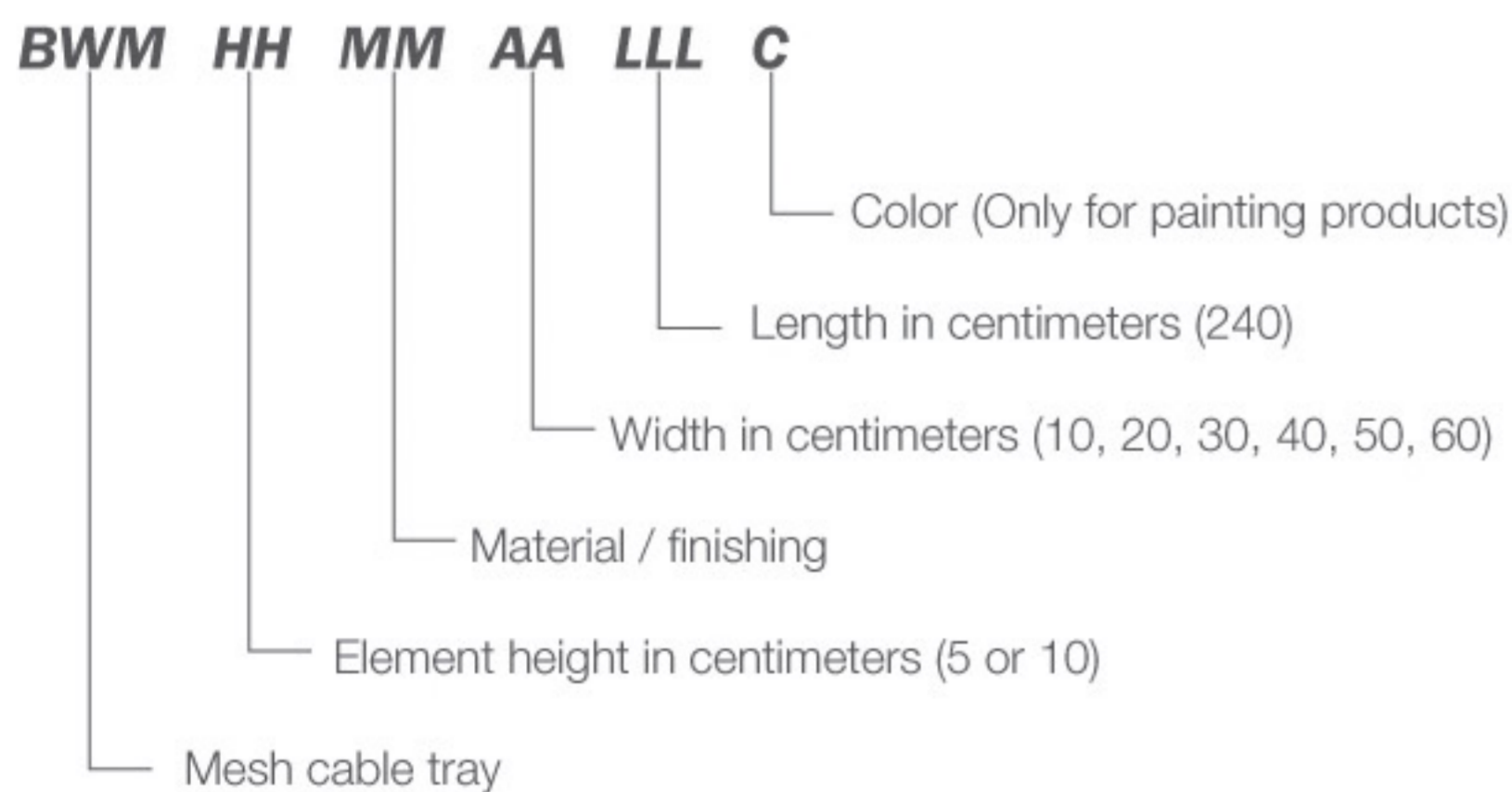
Assembling versatility, besides its unique presentation in straight sections, yields a sizeable reduction in installation, transportation, and manufacturing costs.

- **Versatility**
- **Simple and one-of-a-kind design.**
- **Useful height over 80% of the element height.**
- **More ventilation area for the cables.**
- **Simple installation.**
- **Without prebuilt accessories.**

GEOMETRICAL CHARACTERISTICS



REFERENCES



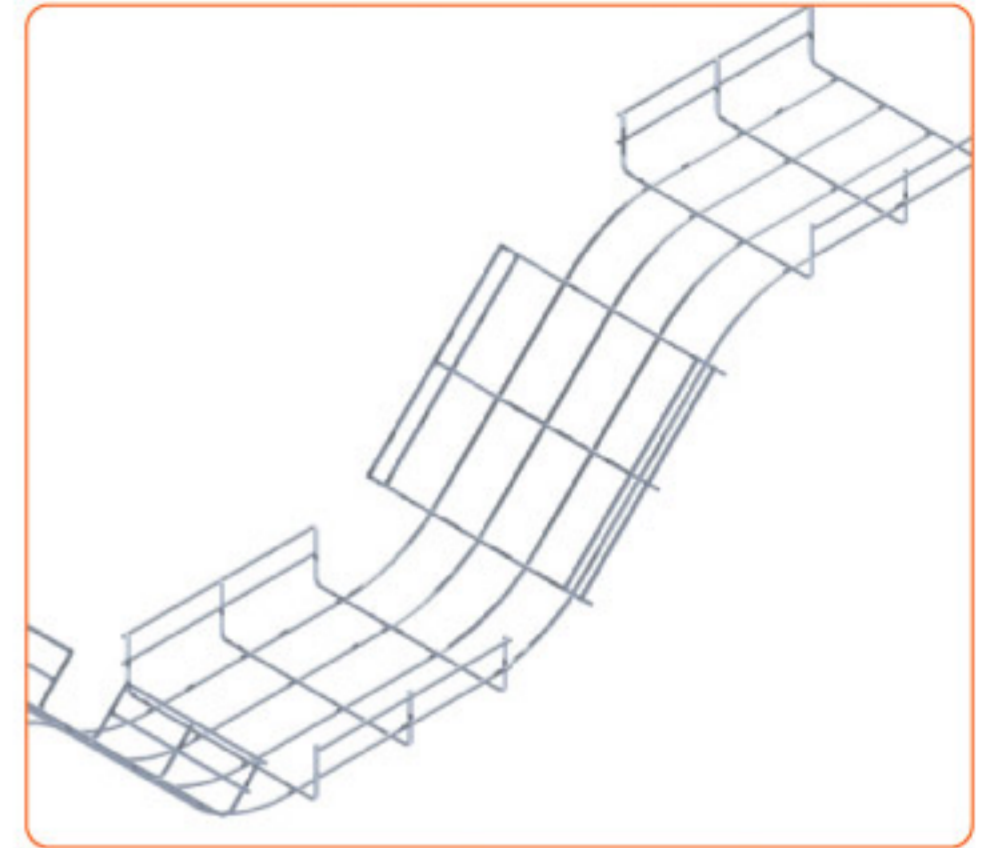
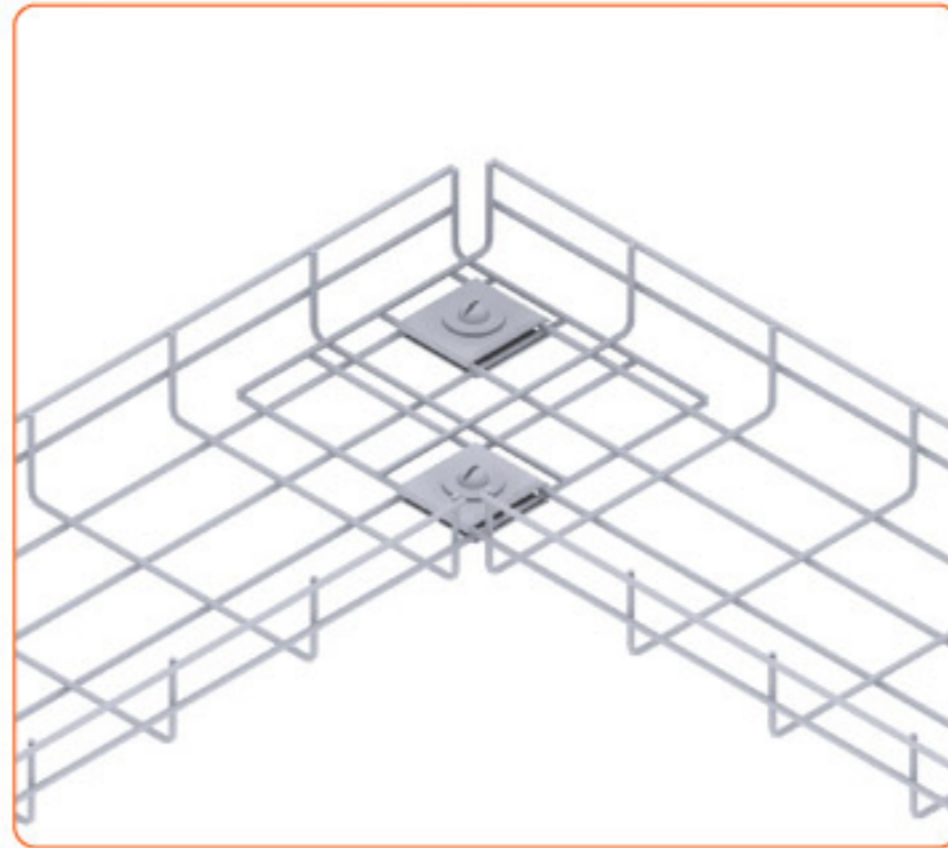
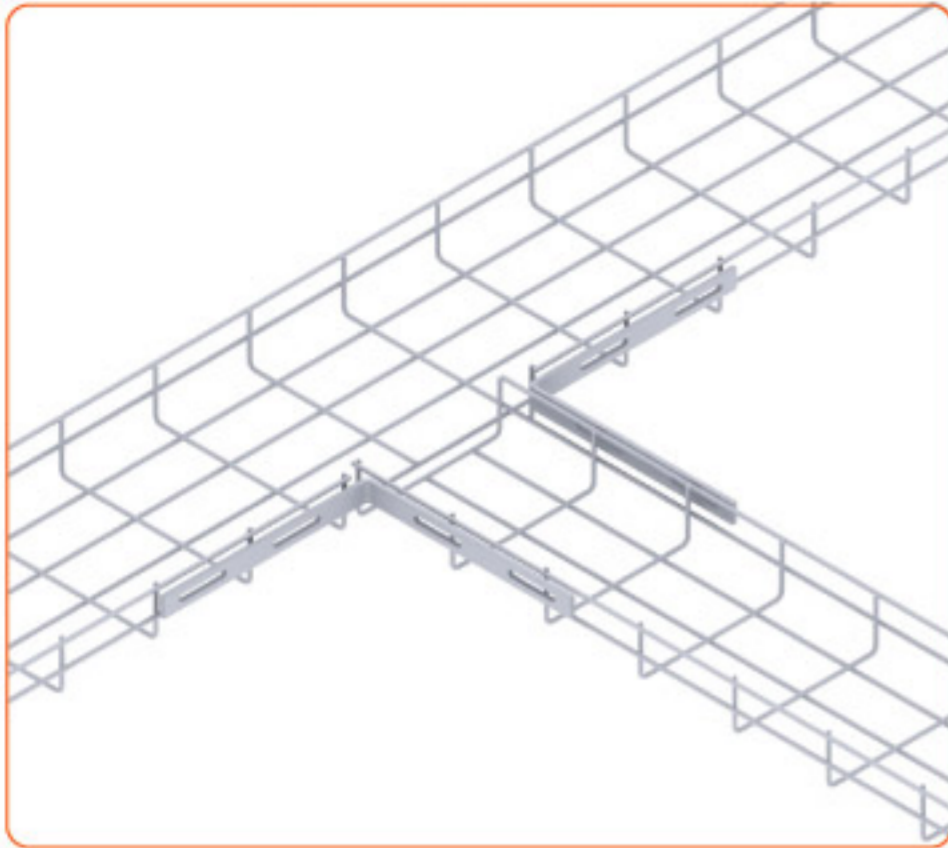
REFERENCE	HEIGHT (cm)	WIDTH (cm)	WEIGHT (kg)
BWM5AG10240	5	10	1.9
BWM5AG20240	5	20	2.6
BWM5AG30240	5	30	3.4
BWM5AG40240	5	40	8.4
BWM5AG50240	5	50	8.8
BWM5AG60240	5	60	10.0
BWM10AG10240	10	10	3.6
BWM10AG20240	10	20	4.6
BWM10AG30240	10	30	5.6
BWM10AG40240	10	40	9.8
BWM10AG50240	10	50	10.3
BWM10AG60240	10	60	11.5

FINISHING

- **(CN) Electrolytic zinc coated**
It's a silver looking zinc-based electrolytic coat, typical of this finishing. It's over 8 micron, according to NEMA VE-1, ASTM B633-98, SC2 Class. Recommended for indoors or protected installations where environmental aggressiveness is moderate.
- **(AG) Hot-Dipped Galvanizing**
Thicknesses over 60 microns according to ASTM A123, thought for aggressive environments where corrosion can seriously affect the cable tray system.

- **(AP) Epoxy-polyester paint**
Thicknesses over 60 microns used in severe and moderate corrosion environments where aesthetics are important. (Standard colors: A – Almond, G – Grey, and N – Black).
- **(IN) Stainless steel**
For severely aggressive environments (chemical industries, food industries) manufactured in AISI 304 stainless steel.

ACCESSORY ASSEMBLING

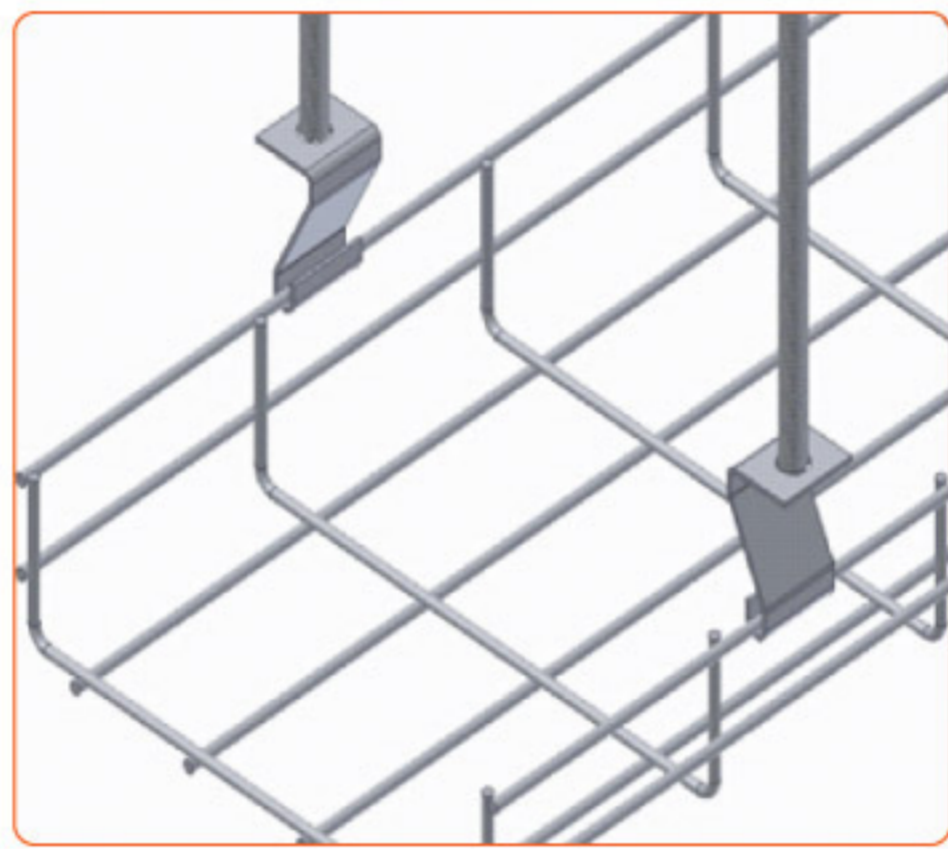


ACCESSORIES



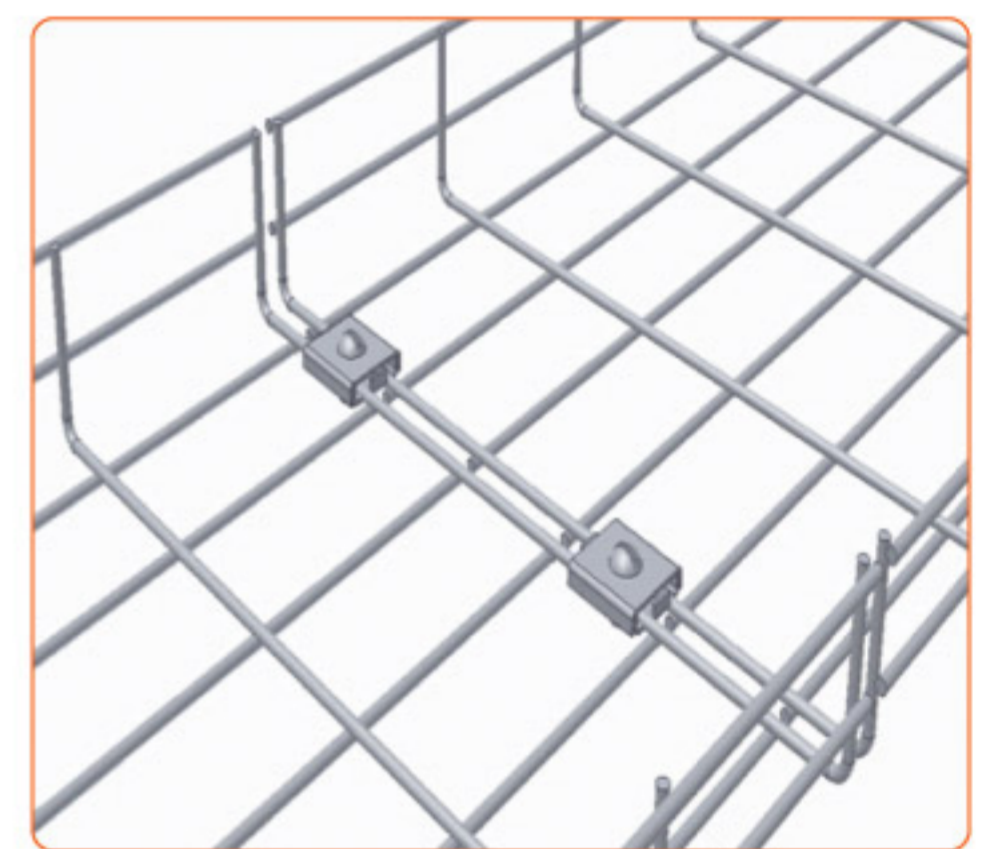
Reference
PUWMPAG – Splice plate

WM cable tray splice plate without bolts.



Reference
CWMAG – Universal hanger

Universal hanger to hold in place aerial WM cable trays (Doesn't include stud bolts or nuts).



Reference
PUWMTAG – Bolted splice

Bolted splices to form accessories and straight sections. They have two components and a bolt to ease assembling process.



Reference
PUWMT2AG – Assembly plate

Plate to assemble curves and unions to MECANO profiles and rung supports. It's supplied single or double with bolt, nut, and washer.



Reference
PLWMAG – L plate

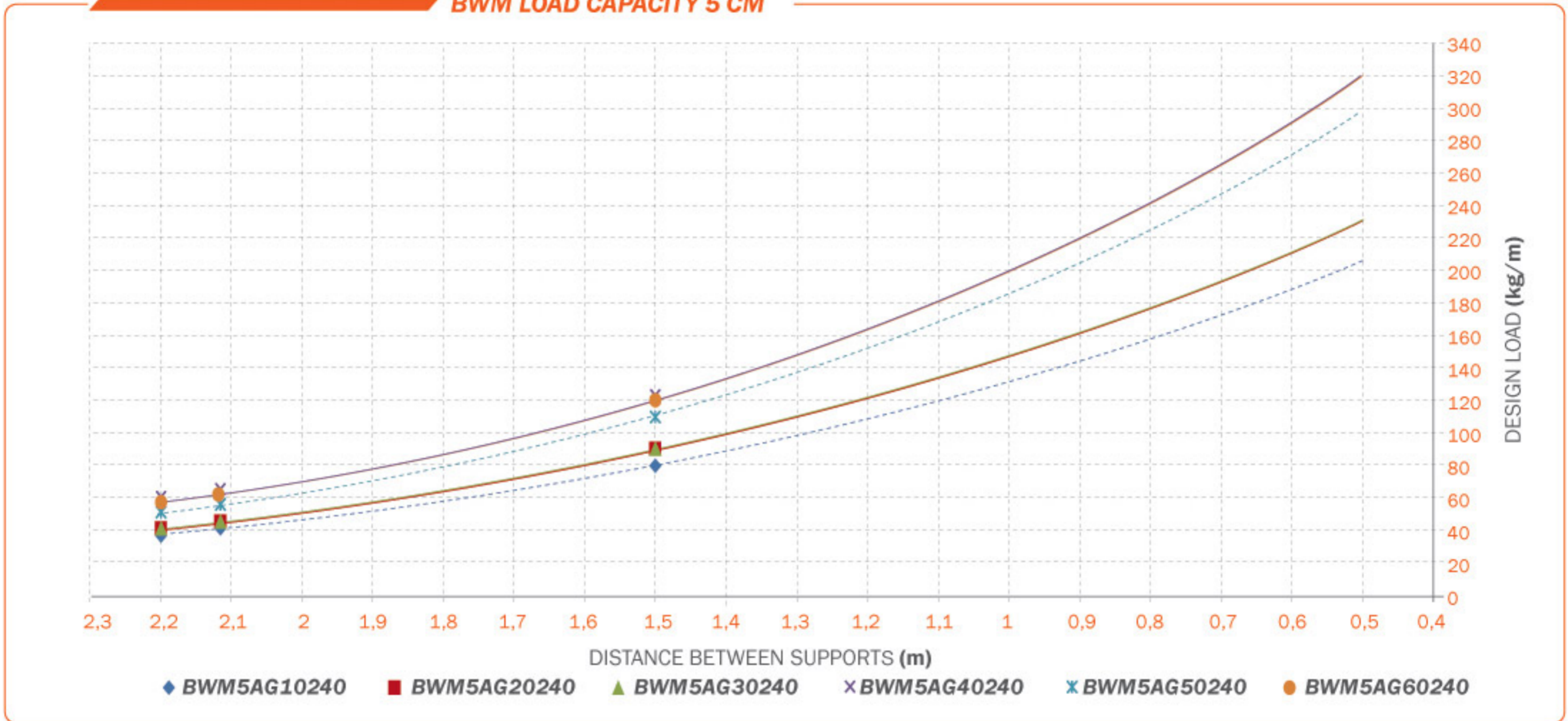
Assembling element with different perforations, ideal to conform T elements.



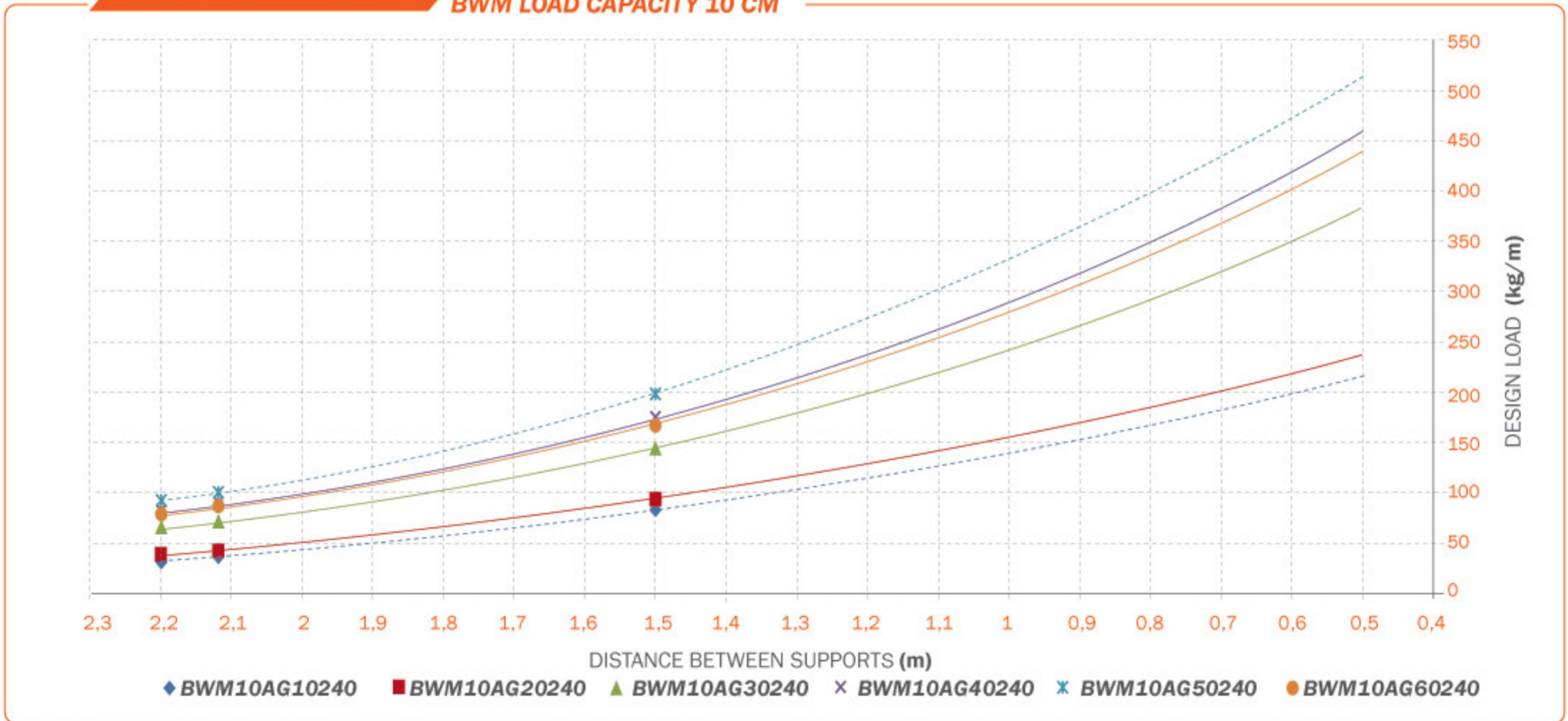
MECHANICAL PROPERTIES

WM cable trays have been developed complying with NEMA VE-1 (RETIE) requirements offering wide safety and reliability factors. We recommend performing installations under NEMA VE-2 specifications.

BWM LOAD CAPACITY 5 CM



BWM LOAD CAPACITY 10 CM



MEDELLÍN (MANUFACTURING PLANT)

Calle 86 No. 45 - 90 Itagüí - PBX [574] 444 5011 - Fax [574] 444 5011 - Ext. 9 - ventas@industriasceno.com

BOGOTÁ

Calle 98 No. 22 - 64 Of. 301 - PBX [571] 635 3411 - Fax [571] 635 3411 - Ext. 9 - ventasbogota@industriasceno.com

BARRANQUILLA (MANUFACTURING PLANT)

Parque Empresarial Río Norte, Intersección Vía 40 Circunvalar. Bodegas 18 - 21 - PBX [575] 377 3430 - Fax [575] 377 3435 - ventasnorte@industriasceno.com

CALI

Avda. 6ª A Bis No. 35 N - 100 Of. 711 Centro Empresarial Chipichape - PBX [572] 680 6767 - Fax [572] 680 6292 - ventasoccidente@industriasceno.com